

DOWNLIGHT PRODUCT MANUAL

To customers:

- Thank you for choosing our products !
 - Please read this instruction carefully before using the product.
- This manual should be retained for the future reference.

<p>Please confirm the following important matters before starting each work, in order to ensure safe construction! If there is any problems with the product, please turn off the power supply and please consult our agent or ask qualified electrician.</p>		
<p>Warning: Wrong using may cause accidents. Caution: Incorrect using may cause damage.</p>		
Before Installation	Warning	Forbidden to use
<p>This product is widely used in indoor application only and it cannot be used under the following environmental conditions. (Risk of Drop, Risk of Electric Shock, Risk of Fire)</p> <ul style="list-style-type: none"> Where ambient temperature is under -10°C or above 40°C Where air conditioner or air outlet exist Where ceilings that cannot bear the weight of fixture Where inclined and uneven ceiling exist Where fixture is exposed to direct sunlight Where dust and corrosive gas exist Where vibration and shock exist Outdoor Application Wet place where humidity is of $\geq 80\%$ PH Where building insulation may be present in normal use <p>Please contact Customers Service Team, once use environment cannot be confirmed to be applicable or not.</p>		
During Installation	Warning	To be carried out
	Caution	To be carried out
<ul style="list-style-type: none"> The fixture should be installed by a electrician with relevant qualification certificate. (Risk of Safety Accident) The downlight needs an external LED power driver, and the power of the LED power driver should match the light source (recommended Use the company's corresponding LED power drive, otherwise it will affect the normal use of the lamps). The lighting circuit should be wired separately, compared with other power lines, such as air conditioners or high-power electric equipments. Please make sure the power is switched off before installation or maintenance. And it's switched on only after correct wiring. (Risk of Electric Shock). Don't disassemble or retrofit the fixture. (Risk of Electric Shock, Risk of Fire, Risk of Drop, Risk of Failure). Don't touch the fixture when it is working or in a high temperature condition, when fixture just went out (Risk of Burning). Don't operate by wet hands (Risk of Electric Shock). * The fixture can't be covered by any heat insulation pads or similar materials. Be sure that the minimum distance from side of the luminaire to surroundings must be more than 100mm. (Risk of fire) 		
<ul style="list-style-type: none"> The actual power is between 90%~110% from the rated power. (The load current carrying capacity of the wire should be considered in construction wiring). The force bearing point of installation in the ceiling board must be 4 times higher than the fixture weight. (Risk of Drop or Damage) The fire regulations must be observed, when fixture is working. (Risk of Fire) Please cut off the power supply immediately, if smoke or odor occur, then contact the electrical contractor. (Risk of Fire) 		

Tips: pls wear gloves when install fixture or adjust the irradiation angle.

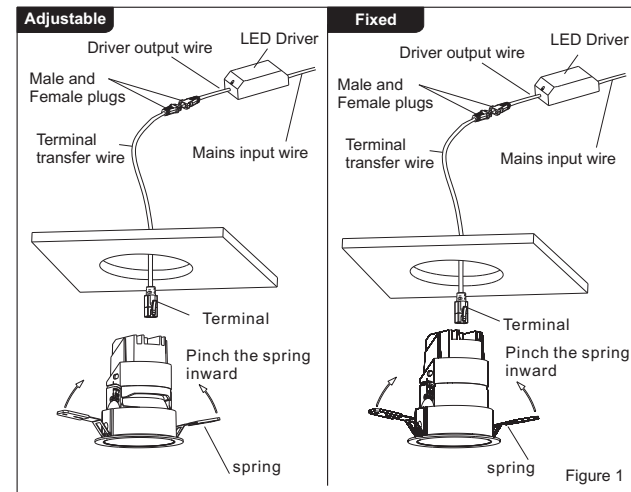
Cut-out size form (mm)		Ceiling thickness	Type of light source
Adjustable	Φ45(+2/-0)	45x88(+2/-0)	8-20
	Φ55(+2/-0)	55x55(+2/-0)	8-20
	45x45(+2/-0)	55x103(+2/-0)	8-20
	Φ75(+2/-0)	75x75(+2/-0)	8-20
	Φ105(+2/-0)	75x145(+2/-0)	8-20
	Φ125(+2/-0)	105x105(+2/-0)	8-20
Fixed	Φ150(+2/-0)	105x205(+2/-0)	8-20
	Φ55(+2/-0)	105x105(+2/-0)	8-20
	Φ75(+2/-0)	55x103(+2/-0)	8-20
	Φ105(+2/-0)	75x145(+2/-0)	8-20
	55x55(+2/-0)	105x205(+2/-0)	8-20
	75x75(+2/-0)		8-20

Note:

- Please ensure the cut out size which the table show in the manual must be the same as the cut out size in the lamp identification before the light installed.
- If the strength of the installation location is not enough, the luminaires will be at risk of falling;
- The limited opening size and applicable ceiling thickness in the manual are only applicable to paper gypsum board. If you use solid wood, acrylic or hard board, it may not be installed.

Installation Information (with trim)

- Please make sure the power is switched off before installation (Risk of Electric Shock);
- Cut a proper mounting hole on the ceiling board according to cut-out size form;
- The terminal of the terminal conversion line is docked with the port on the back of the lamp, and the male plug at the other end is docked with the driver's drive output line, and the driver is connected to the power;
- If you buy a Seton platform driver, there is no need for a terminal conversion cable, and the lamps can be directly connected;
- Pinch the spring inward, and install the lamp body into the hole of the ceiling, as shown in Figure 1;

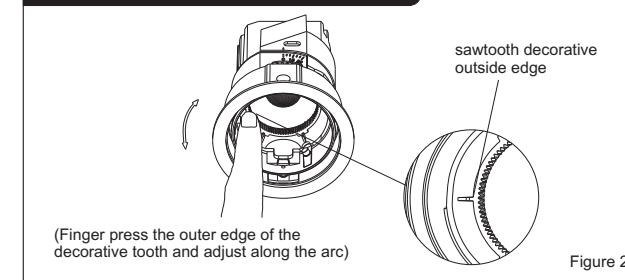


Warning:

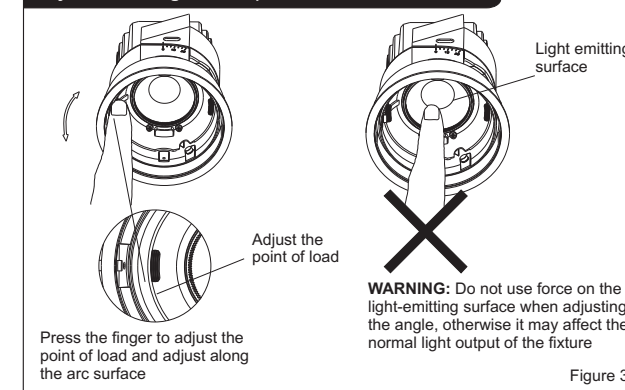
- ✘ The positive and negative terminal of LED fixture must be correctly connected with the LED driver, otherwise the LED light source will be burnt out;
- ✘ Do not disassemble the LED lamps or unscrew the screws of the LED light source without authorization, otherwise it will affect the heat dissipation performance of the LED light source, reduce the life of the LED or even burn the light source;

- When adjusting the angle of the lamp, press the edge of the decorative tooth or adjust the force point to adjust the required angle, as shown in Figure 2 and Figure 3;

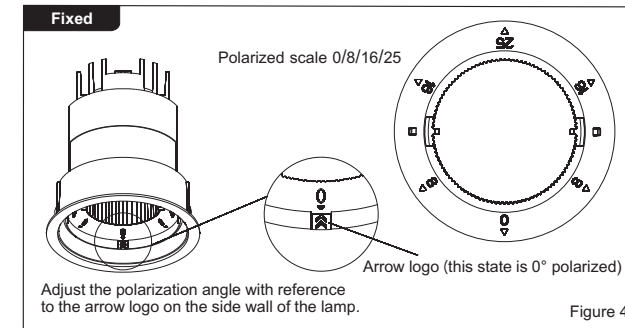
Adjustment diagram for Φ45/55mm fixture



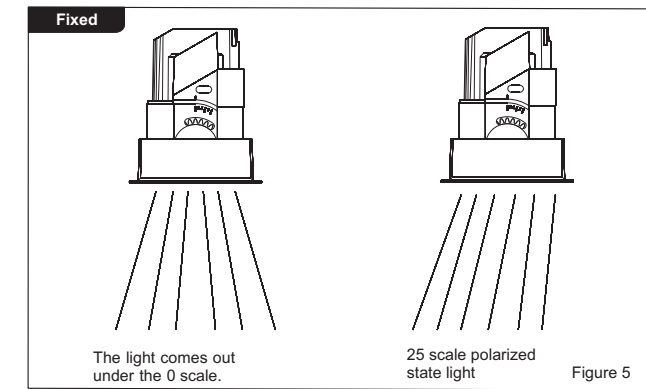
Adjustment diagram for Φ75/105/125/150mm fixture



- To adjust the light direction of the lamp, you need to rotate the internal bevel lens, and the lens assembly is marked with a scale of 0/8/16/25 respectively. This value is both a polarization angle. When adjusting polarization, it is marked as a benchmark with the side wall arrow of the lamp, as shown in Figure 4.

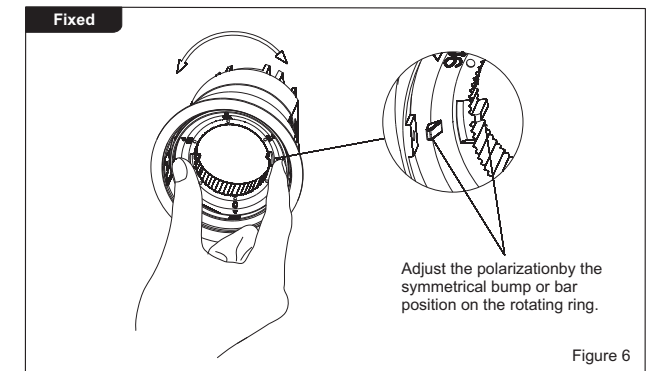


- When aligning the 0 scale, the lamp is in the lower illumination state. When aligning the 25 scale, the lamp is polarized at 25°, as shown in Figure 5 below. In actual use, please adjust the polarization according to the required optical effect;

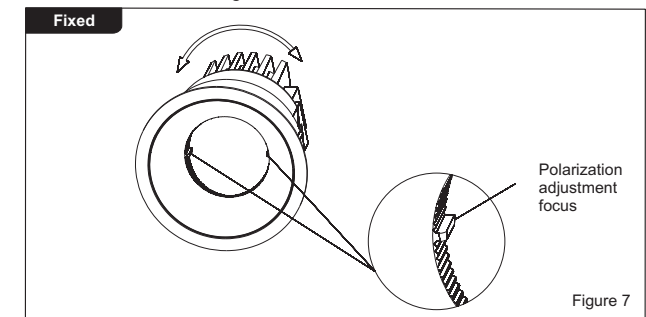


- When the reflector is not installed to adjust the polarization angle, the thumb and forefinger are used to act on the symmetrical bumps or tendons on the rotating ring to rotate left and right to achieve the required optical effect, as shown in Figure 6;

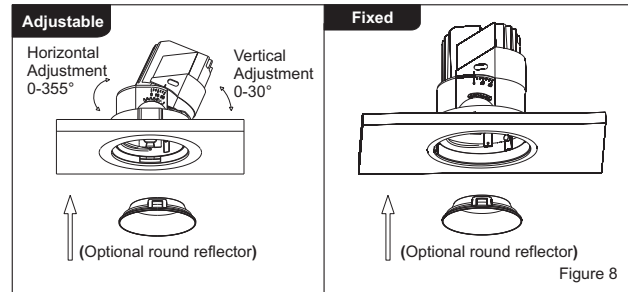
✘ Note: When adjusting polarization, you need to wear clean gloves or clean hands to avoid dirt remaining on the surface of the lens during the adjustment process, which will affect the lighting effect of the lamp.



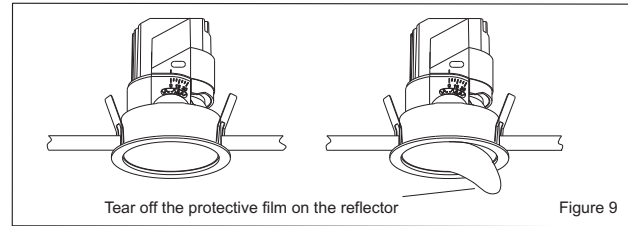
- If the reflector has been installed, when adjusting the polarization angle, use the thumb and index finger to act on the symmetrical tendons on the rotating ring to rotate left and right to achieve the required optical effect, as shown in Figure 7;



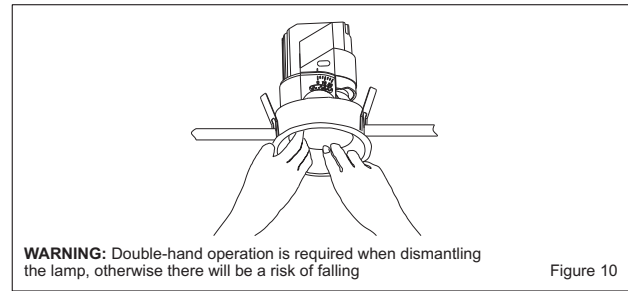
11. When adjusting the illumination Angle of the lamp, the illumination direction of the lamp should be adjusted first, and then the reflective cover accessories should be installed. The buckle does not need to be aligned during installation, as shown in Figure 8;



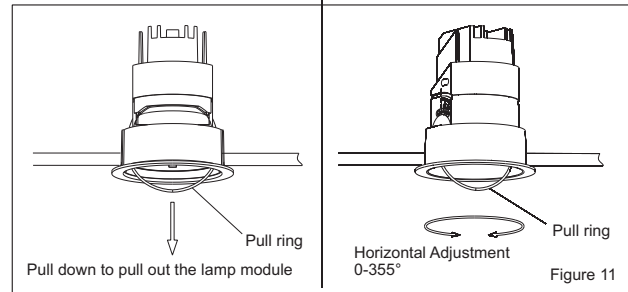
12. After installing the optional reflector accessory, tear off the protective film on the reflector accessory, as shown in Figure 9;



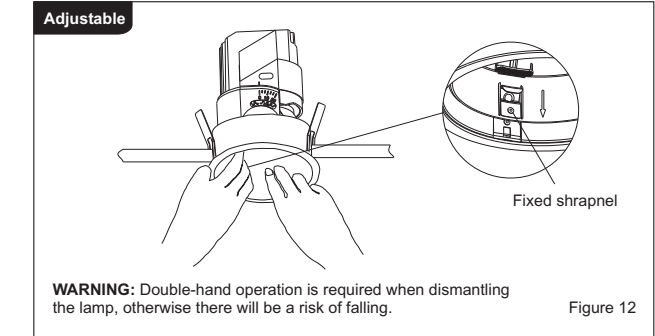
13. When disassembling the reflector accessories, both hands are required at the same time, as shown in Figure 10;



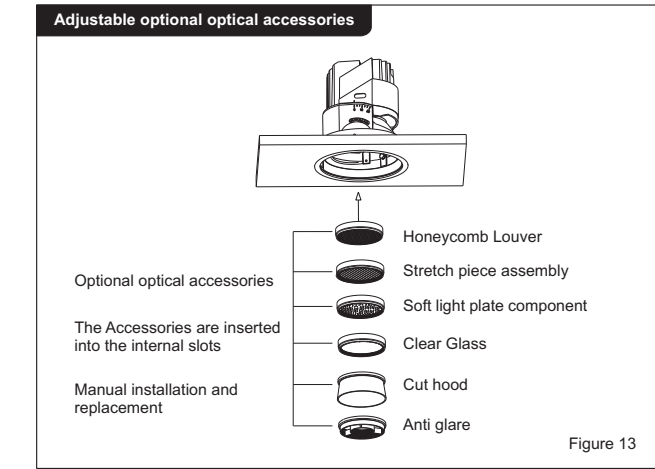
14. After the pull ring in the lamp is turned out, the lamp module needs to be replaced or the module needs to be maintained, and the lamp module can be removed by pulling down. When the lamp needs to adjust the horizontal irradiation Angle, the lamp can be adjusted by holding the pull ring and rotating horizontally, as shown in Figure 11;



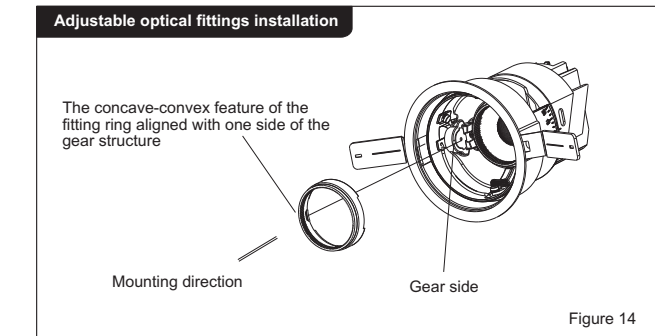
15. When the open-hole 125mm/150mm series lamp needs to be replaced or the module needs to be maintained, because the lamp is heavy, it needs to be operated with both hands. One hand holds the lamp, and the other hand pulls down the fixed shrapnel on the rotating ring. After the fixed shrapnel makes the side lamp body tilt down, the module can be removed completely, as shown in Figure 12;



16. The lamp installation is equipped with optional optical accessories. The hole 45/105/125/150mm does not need to be in place, and the hole 55/75mm needs to be in place, as shown in Figure 13;



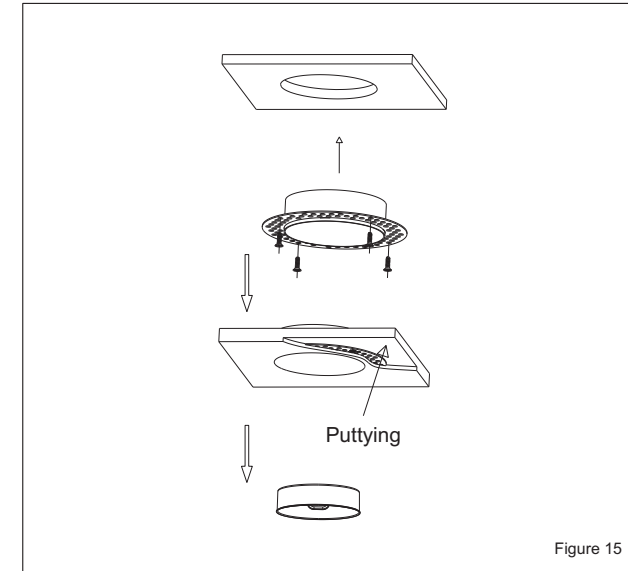
17. The adjustable opening 55/75mm lamp installation optical accessories need to be installed in place, otherwise it will be impossible to install, as shown in Figure 14;



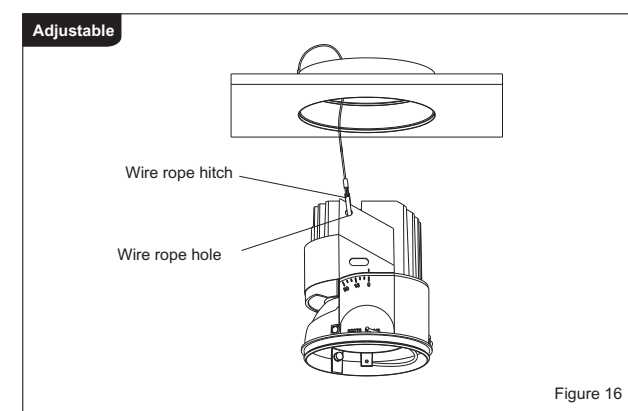
Installation Information (Trimless)

Note: If you select the trimless product, you must purchase the matching embedded parts separately.

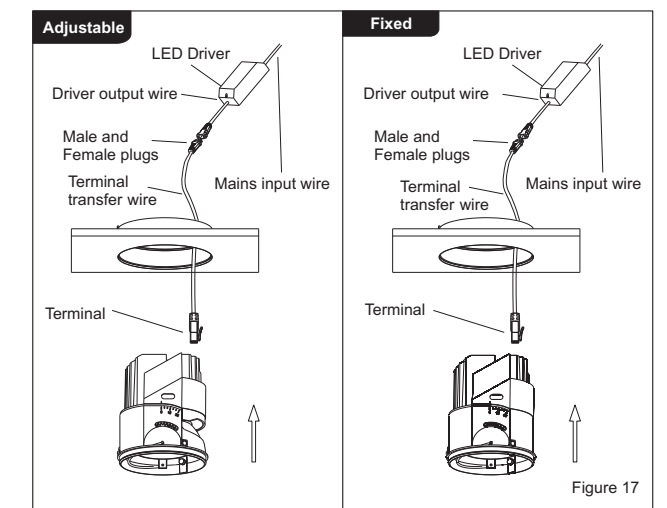
1. Please make sure the power is switched off before installation (Risk of Electric Shock);
2. Cut a proper mounting hole on the ceiling board according to cut-out size form;
3. The embedded parts are fixed to the ceiling of the open hole through selftapping screws. The number of 45/55/75/105/125mm lamp screws is recommended to be 4PCS, and 150mm is recommended to 6PCS;
4. After puttying, make sure that the embedded frame is level with the ceiling. Please remove the protective cover after puttying, as shown in Figure 15; (applicable to the installation of 45/55/75/105mm cut-out trimless luminaires)



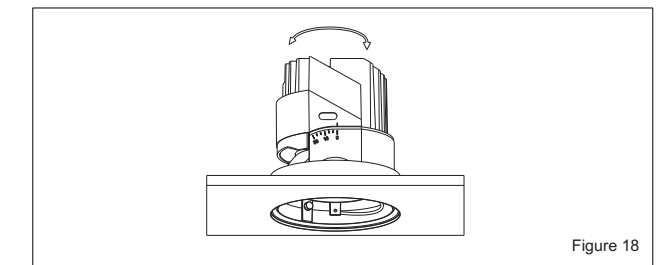
5. When installing the lamp body with an edgeless ring with a hole of 125/150mm specification, it is necessary to buckle the wire rope on the surface ring, buckle it on the hanging hole on the back of the radiator, and then install the lamp module into the edgeless ring, as shown in Figure 16;



6. Connect the terminal on the conversion line with the port on the back of the lamp, connect the other end to the power drive output line, and connect the drive input line to the mains, as shown in Figure 17;



7. When the lamp mold is assembled into the lamp body, you should hear the lamp click 3 times, and then rotate the lamp body horizontally to confirm that the module is installed in place, otherwise there is a risk of the lamp body falling, as shown in Figure 18;



8. For the installation of optical accessories and reflectors, refer to the with trim version, as shown in Figure 9/10/13;

9. After confirming that all the installation is correct, it can be powered on, as shown in Figure 19.

